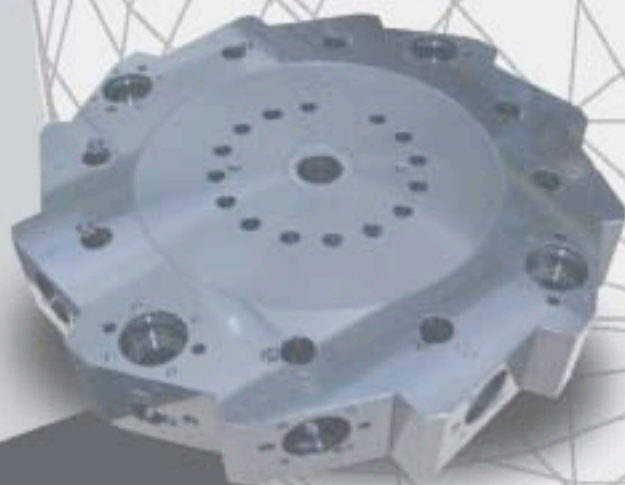


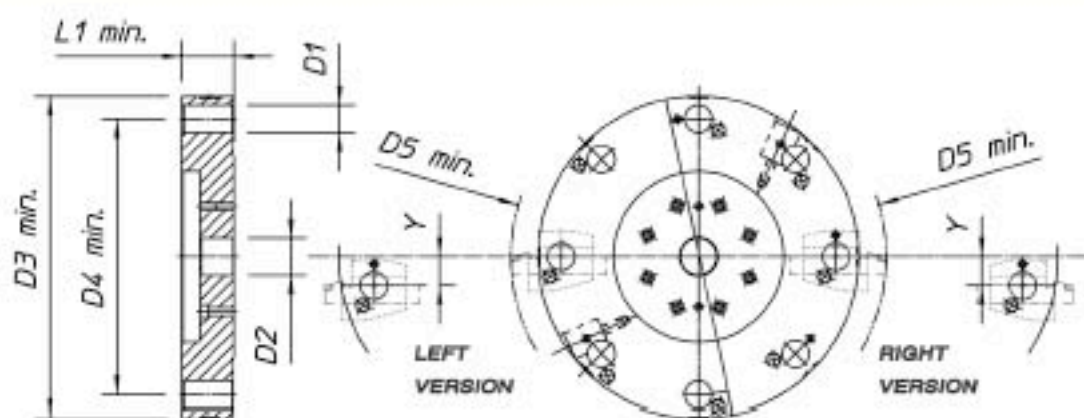
DISCHI PORTAUTENSILI
TOOLHOLDER PLATES
PLATEAUX PORTE-OUTILS
WERKZEUGSCHEIBEN



DF1...8

| | | | |
|---------------------|---------|----------------|--------|
| Disco portautensili | Assiale | VDI - DIN69980 | 8 pos. |
| Tool disc | Axial | VDI - DIN69980 | 8 pos. |
| Plateau | Axial | VDI - DIN69980 | 8 pos. |
| Werkzeugscheibe | Axial | VDI - DIN69980 | 8 Pos. |

DF

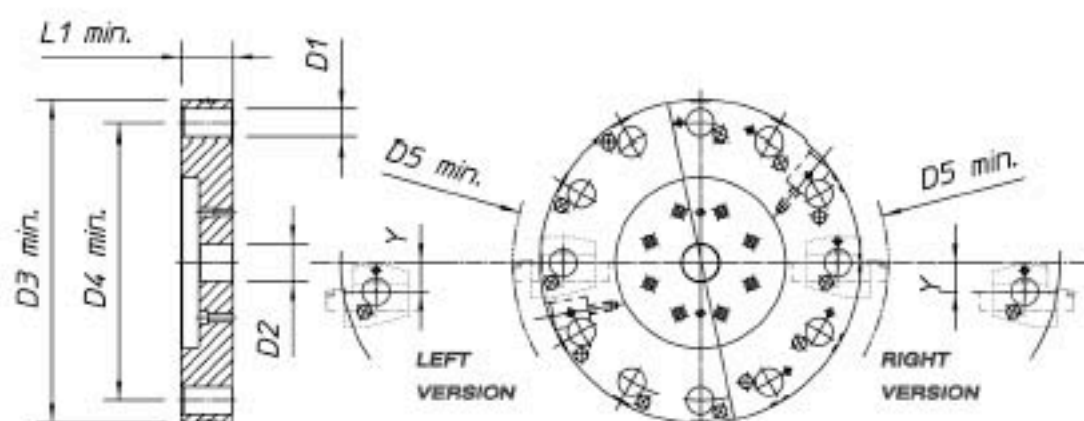


| Code - code - code - Bestell Nr. | VDI D1 | D2 | min. D3 | min. D4 | min. D5 | min. L1 | Y | | | | | | |
|----------------------------------|--------|----|---------|---------|---------|---------|---|--|--|--|--|--|--|
| DF1-16-110-8 | 16 | 30 | 150 | 110 | 170 | 34 | 0 | | | | | | |
| DF1-20-145-8 | 20 | 30 | 185 | 145 | 235 | 42 | 0 | | | | | | |
| DF1-30-190-8 | 30 | 30 | 240 | 190 | 300 | 57 | 0 | | | | | | |
| DF1-40-245-8 | 40 | 40 | 305 | 245 | 375 | 65 | 0 | | | | | | |
| DF1-50-290-8 | 50 | 50 | 365 | 290 | 445 | 80 | 0 | | | | | | |
| DF1-60-340-8 | 60 | 63 | 435 | 340 | 525 | 96 | 0 | | | | | | |

Indicare tipo torretta - Indicate turret type - Indiquez touralle type - Angeben Sie Revolverkopfart

DF1...12

| | | | |
|---------------------|---------|----------------|---------|
| Disco portautensili | Assiale | VDI - DIN69980 | 12 pos. |
| Tool disc | Axial | VDI - DIN69980 | 12 pos. |
| Plateau | Axial | VDI - DIN69980 | 12 pos. |
| Werkzeugscheibe | Axial | VDI - DIN69980 | 12 Pos. |



| Code - code - code - Bestell Nr. | VDI D1 | D2 | min. D3 | min. D4 | min. D5 | min. L1 | Y | | | | | | |
|----------------------------------|--------|----|---------|---------|---------|---------|---|--|--|--|--|--|--|
| DF1-16-160-12 | 16 | 30 | 200 | 160 | 220 | 34 | 0 | | | | | | |
| DF1-20-195-12 | 20 | 30 | 235 | 195 | 285 | 42 | 0 | | | | | | |
| DF1-30-265-12 | 30 | 40 | 315 | 265 | 375 | 57 | 0 | | | | | | |
| DF1-40-335-12 | 40 | 50 | 395 | 335 | 465 | 65 | 0 | | | | | | |
| DF1-50-400-12 | 50 | 63 | 475 | 400 | 555 | 80 | 0 | | | | | | |
| DF1-60-460-12 | 60 | 80 | 555 | 460 | 645 | 96 | 0 | | | | | | |

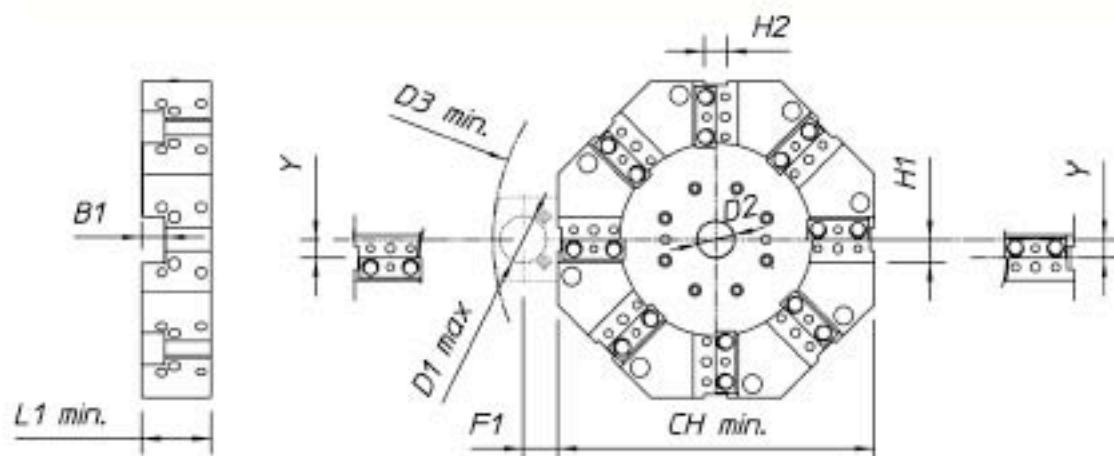
Indicare tipo torretta - Indicate turret type - Indiquez touralle type - Angeben Sie Revolverkopfart

ALGRA S.p.A. - divisione accessori

Via Manzoni 41 - 24031 Almenno S. Salvatore (BG) - Tel. ++39 035.64.20.51 - Fax ++39 035.64.01.26 - algra.accessori@algra.it - www.algra.it

DF2...8

| | | |
|---------------------|-----------------------|--------|
| Disco portautensili | A sedi quadre | 8 pos. |
| Tool disc | With square seats | 8 pos. |
| Plateau | Avec sièges carrés | 8 pos. |
| Werkzeugscheibe | Mit Vierkantaufnahmen | 8 Pos. |

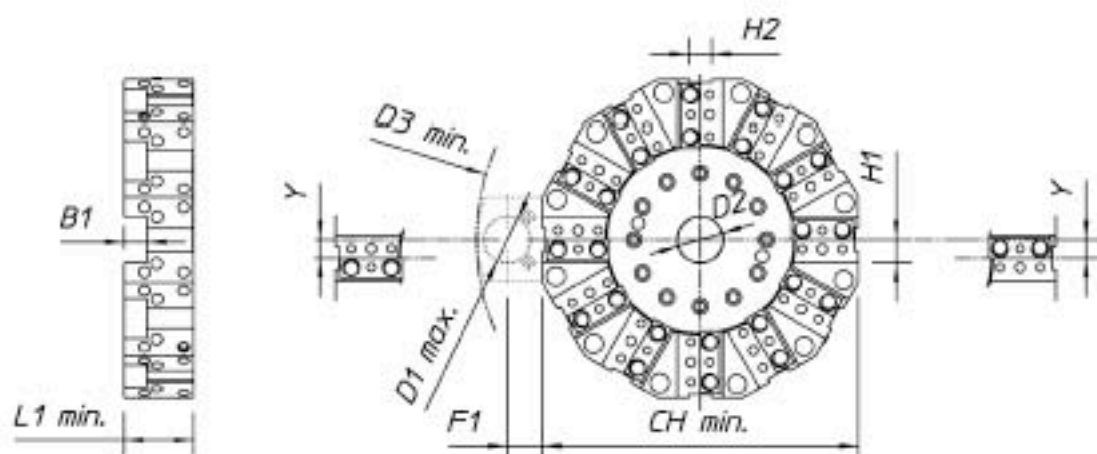

DF


| Codice - code - code - Bestell Nr. | H1 | H2 | B1 | max. D1 | D2 | min. D3 | F1 | min. CH | min. L1 | Y |
|------------------------------------|----|----|----|---------|----|---------|----|---------|---------|---|
| DF2-12-150-8 | 12 | 12 | 12 | 20 | 25 | 215 | 20 | 150 | 41 | 0 |
| DF2-16-190-8 | 16 | 16 | 16 | 25 | 30 | 272 | 23 | 190 | 51 | 0 |
| DF2-20-220-8 | 20 | 20 | 20 | 32 | 30 | 312 | 25 | 220 | 61 | 0 |
| DF2-25-275-8 | 25 | 25 | 25 | 40 | 40 | 388 | 30 | 275 | 76 | 0 |
| DF2-32-350-8 | 32 | 32 | 32 | 50 | 50 | 492 | 35 | 350 | 96 | 0 |
| DF2-40-450-8 | 40 | 40 | 40 | 60 | 63 | 612 | 40 | 450 | 126 | 0 |

Indicare tipo tornetta - Indicate turret type - Indiquez tourille type - Angeben Sie Revolverkopftyp

DF2...12

| | | |
|---------------------|-----------------------|---------|
| Disco portautensili | A sedi quadre | 12 pos. |
| Tool disc | With square seats | 12 pos. |
| Plateau | Avec sièges carrés | 12 pos. |
| Werkzeugscheibe | Mit Vierkantaufnahmen | 12 Pos. |



| Codice - code - code - Bestell Nr. | H1 | H2 | B1 | max. D1 | D2 | min. D3 | F1 | min. CH | min. L1 | Y |
|------------------------------------|----|----|----|---------|----|---------|----|---------|---------|---|
| DF2-12-175-12 | 12 | 12 | 12 | 20 | 25 | 241 | 20 | 175 | 41 | 0 |
| DF2-16-230-12 | 16 | 16 | 16 | 25 | 30 | 312 | 23 | 230 | 51 | 0 |
| DF2-20-278-12 | 20 | 20 | 20 | 32 | 40 | 370 | 25 | 278 | 61 | 0 |
| DF2-25-345-12 | 25 | 25 | 25 | 40 | 50 | 455 | 30 | 345 | 76 | 0 |
| DF2-32-435-12 | 32 | 32 | 32 | 50 | 63 | 575 | 35 | 435 | 96 | 0 |
| DF2-40-565-12 | 40 | 40 | 40 | 60 | 80 | 725 | 40 | 565 | 126 | 0 |

Indicare tipo tornetta - Indicate turret type - Indiquez tourille type - Angeben Sie Revolverkopftyp

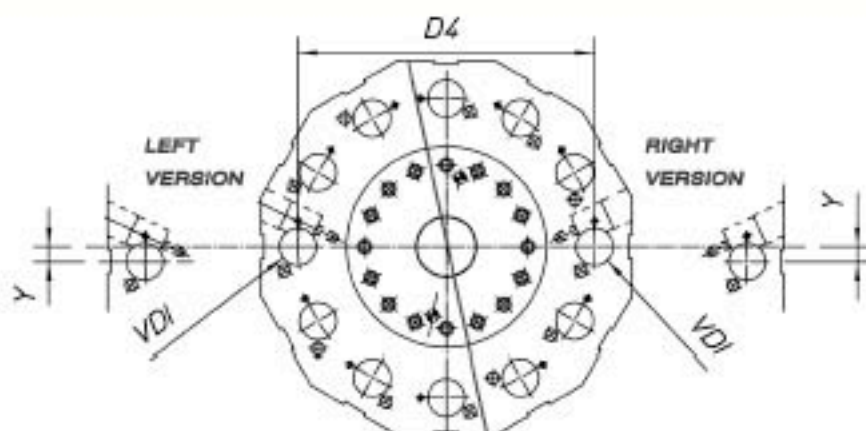
ALGRA S.p.A. - divisione accessori

Via Manzoni 41 - 24031 Almenno S. Salvatore (BG) - Tel. ++39 035.64.20.51 - Fax ++39 035.64.01.28 - algra.accessori@algra.it - www.algra.it

DF4...12

| | | |
|---------------------|------------------------------------|---------|
| Disco portautensili | VDI - DIN69890 + sedi quadre | 12 pos. |
| Tool disc | VDI - DIN69890 + square seats | 12 pos. |
| Plateau | VDI - DIN69890 + sièges carrés | 12 pos. |
| Werkzeugscheibe | VDI - DIN69890 + Vierkantaufnahmen | 12 Pos. |

DF

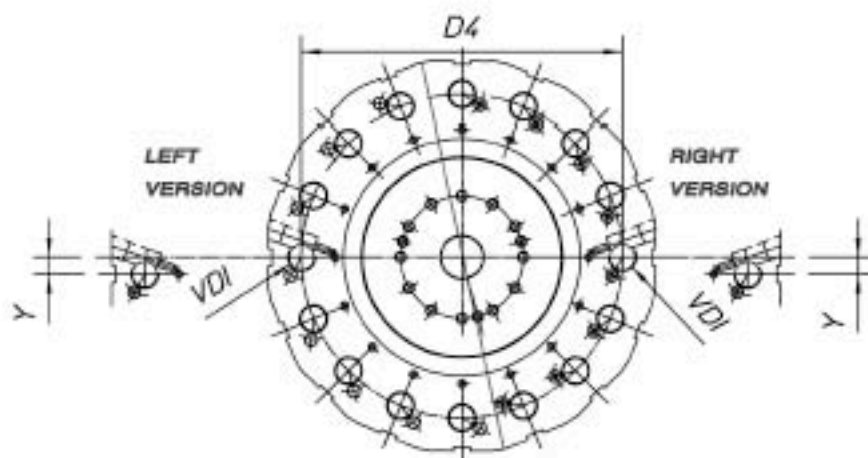


| Code - code - code - Bestell Nr. | VDI | D4 | POS. | Y | | | | | | | | | | |
|----------------------------------|-----|----|------|---|--|--|--|--|--|--|--|--|--|--|
| DF4-16-12 | 16 | | 12 | | | | | | | | | | | |
| DF4-20-12 | 20 | | 12 | | | | | | | | | | | |
| DF4-30-12 | 30 | | 12 | | | | | | | | | | | |
| DF4-40-12 | 40 | | 12 | | | | | | | | | | | |
| DF4-50-12 | 50 | | 12 | | | | | | | | | | | |
| DF4-60-12 | 60 | | 12 | | | | | | | | | | | |

Indicare tipo tornata e quote D4 / Y - Indicate turnat type and dimensions D4 / Y - Indiquez tourelle type et dimensions D4 / Y - Geben Sie Revolverkopfzyp und Maßen D4 / Y

DF4...16

| | | |
|---------------------|------------------------------------|---------|
| Disco portautensili | VDI - DIN69890 + sedi quadre | 16 pos. |
| Tool disc | VDI - DIN69890 + square seats | 16 pos. |
| Plateau | VDI - DIN69890 + sièges carrés | 16 pos. |
| Werkzeugscheibe | VDI - DIN69890 + Vierkantaufnahmen | 16 Pos. |

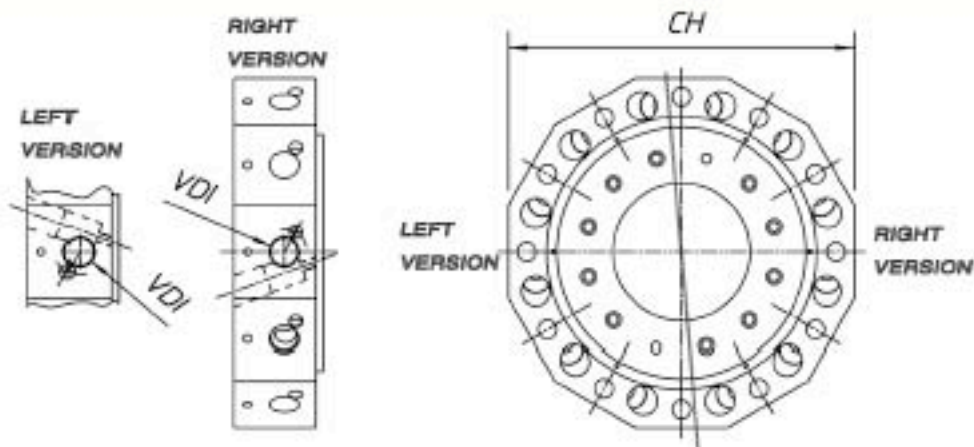


| Code - code - code - Bestell Nr. | VDI | D4 | POS. | Y | | | | | | | | | | |
|----------------------------------|-----|----|------|---|--|--|--|--|--|--|--|--|--|--|
| DF4-16-16 | 16 | | 16 | | | | | | | | | | | |
| DF4-20-16 | 20 | | 16 | | | | | | | | | | | |
| DF4-30-16 | 30 | | 16 | | | | | | | | | | | |
| DF4-40-16 | 40 | | 16 | | | | | | | | | | | |
| DF4-50-16 | 50 | | 16 | | | | | | | | | | | |
| DF4-60-16 | 60 | | 16 | | | | | | | | | | | |

Indicare tipo tornata e quote D4 / Y - Indicate turnat type and dimensions D4 / Y - Indiquez tourelle type et dimensions D4 / Y - Geben Sie Revolverkopfzyp und Maßen D4 / Y

DF5... 12

| | | | |
|---------------------|---------|----------------|---------|
| Disco portautensili | Radiale | VDI - DIN69980 | 12 pos. |
| Tool disc | Radial | VDI - DIN69980 | 12 pos. |
| Plateau | Radial | VDI - DIN69980 | 12 pos. |
| Werkzeugscheibe | Radial | VDI - DIN69980 | 12 Pos. |

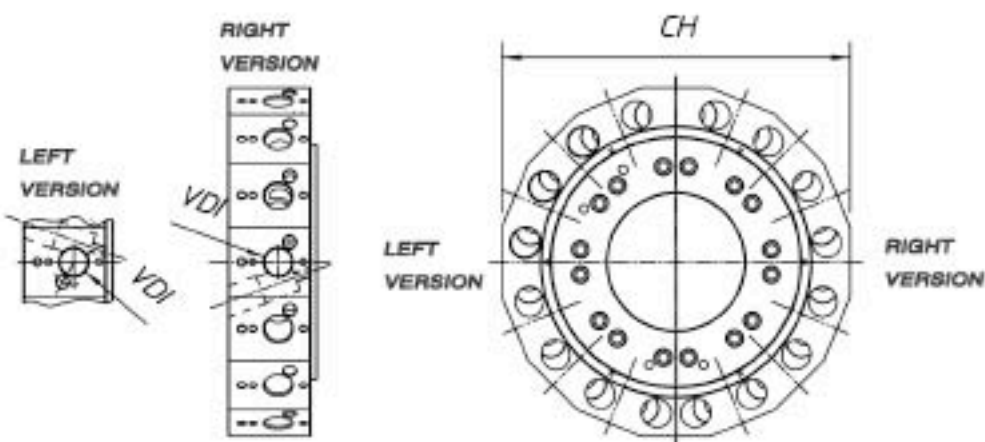

DF


| Codice - code - code - Bestell Nr. | VDI | CH | POS. | | | | | | | |
|------------------------------------|-----|----|------|--|--|--|--|--|--|--|
| DF5-16-12 | 16 | | 12 | | | | | | | |
| DF5-20-12 | 20 | | 12 | | | | | | | |
| DF5-30-12 | 30 | | 12 | | | | | | | |
| DF5-40-12 | 40 | | 12 | | | | | | | |
| DF5-50-12 | 50 | | 12 | | | | | | | |
| DF5-60-12 | 60 | | 12 | | | | | | | |

Indicare tipo tornetta a quota CH - Indicate turnat type and dimension CH - Indiquez tourelle type et dimension CH - Angeben Sie Revolverkopfotyp und Maße CH

DF5... 16

| | | | |
|---------------------|---------|----------------|---------|
| Disco portautensili | Radiale | VDI - DIN69980 | 16 pos. |
| Tool disc | Radial | VDI - DIN69980 | 16 pos. |
| Plateau | Radial | VDI - DIN69980 | 16 pos. |
| Werkzeugscheibe | Radial | VDI - DIN69980 | 16 Pos. |

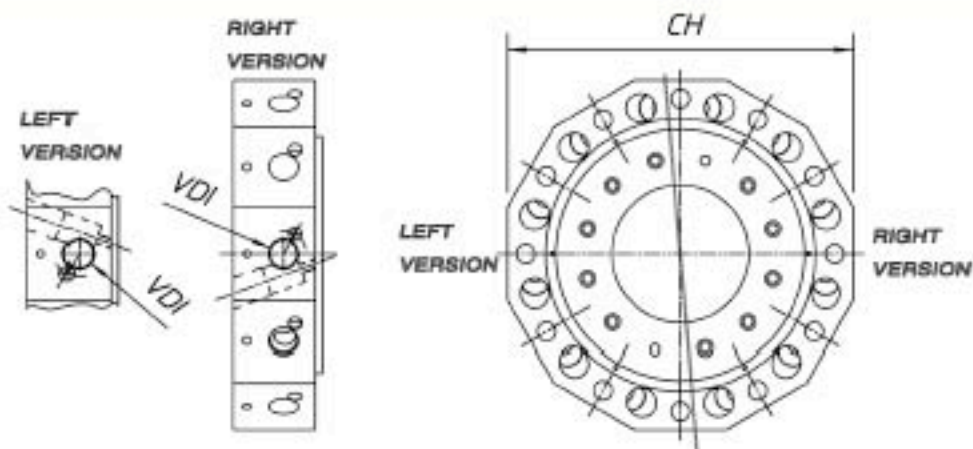


| Codice - code - code - Bestell Nr. | VDI | CH | POS. | | | | | | | |
|------------------------------------|-----|----|------|--|--|--|--|--|--|--|
| DF5-16-16 | 16 | | 16 | | | | | | | |
| DF5-20-16 | 20 | | 16 | | | | | | | |
| DF5-30-16 | 30 | | 16 | | | | | | | |
| DF5-40-16 | 40 | | 16 | | | | | | | |
| DF5-50-16 | 50 | | 16 | | | | | | | |
| DF5-60-16 | 60 | | 16 | | | | | | | |

Indicare tipo tornetta a quota CH - Indicate turnat type and dimension CH - Indiquez tourelle type et dimension CH - Angeben Sie Revolverkopfotyp und Maße CH

DF5... 12

| | | | |
|----------------------|---------|----------------|---------|
| Disco porta utensili | Radiale | VDI - DIN69980 | 12 pos. |
| Tooldisc | Radial | VDI - DIN69980 | 12 pos. |
| Plateau | Radial | VDI - DIN69980 | 12 pos. |
| Werkzeugscheibe | Radial | VDI - DIN69980 | 12 Pos. |

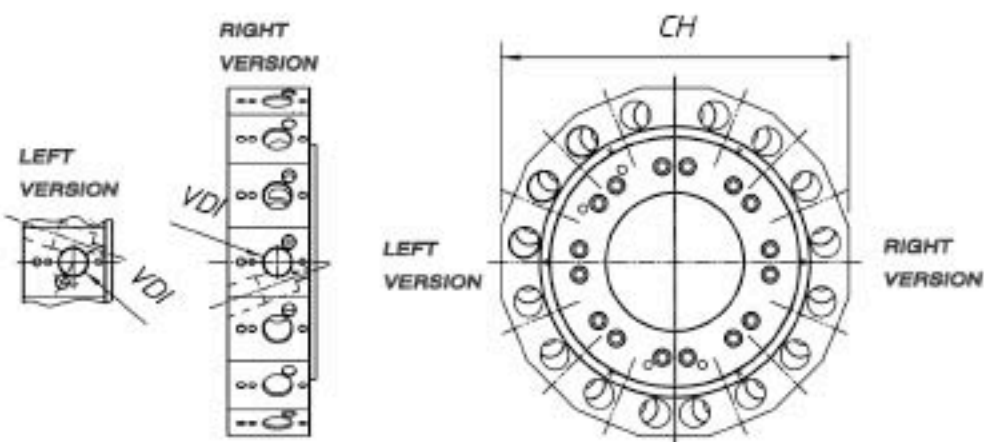

DF


| Codice - code - code - Bestell Nr. | VDI | CH | POS. | | | | | | | | |
|------------------------------------|-----|----|------|--|--|--|--|--|--|--|--|
| DF5-16-12 | 16 | | 12 | | | | | | | | |
| DF5-20-12 | 20 | | 12 | | | | | | | | |
| DF5-30-12 | 30 | | 12 | | | | | | | | |
| DF5-40-12 | 40 | | 12 | | | | | | | | |
| DF5-50-12 | 50 | | 12 | | | | | | | | |
| DF5-60-12 | 60 | | 12 | | | | | | | | |

Indicare tipo tornata e quota CH - Indicate turnet type and dimension CH - Indiquez tourelle type et dimension CH - Angeben Sie Revolverkopfotyp und Maße CH

DF5... 16

| | | | |
|----------------------|---------|----------------|---------|
| Disco porta utensili | Radiale | VDI - DIN69980 | 16 pos. |
| Tooldisc | Radial | VDI - DIN69980 | 16 pos. |
| Plateau | Radial | VDI - DIN69980 | 16 pos. |
| Werkzeugscheibe | Radial | VDI - DIN69980 | 16 Pos. |



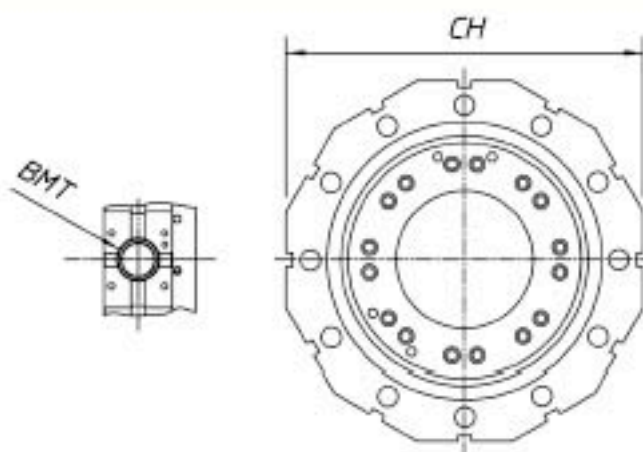
| Codice - code - code - Bestell Nr. | VDI | CH | POS. | | | | | | | | |
|------------------------------------|-----|----|------|--|--|--|--|--|--|--|--|
| DF5-16-16 | 16 | | 16 | | | | | | | | |
| DF5-20-16 | 20 | | 16 | | | | | | | | |
| DF5-30-16 | 30 | | 16 | | | | | | | | |
| DF5-40-16 | 40 | | 16 | | | | | | | | |
| DF5-50-16 | 50 | | 16 | | | | | | | | |
| DF5-60-16 | 60 | | 16 | | | | | | | | |

Indicare tipo tornata e quota CH - Indicate turnet type and dimension CH - Indiquez tourelle type et dimension CH - Angeben Sie Revolverkopfotyp und Maße CH

DF6...12

| | | |
|---------------------|-----|---------|
| Disco portautensili | BMT | 12 pos. |
| Tool disc | BMT | 12 pos. |
| Plateau | BMT | 12 pos. |
| Werkzeugscheibe | BMT | 12 Pos. |

DF

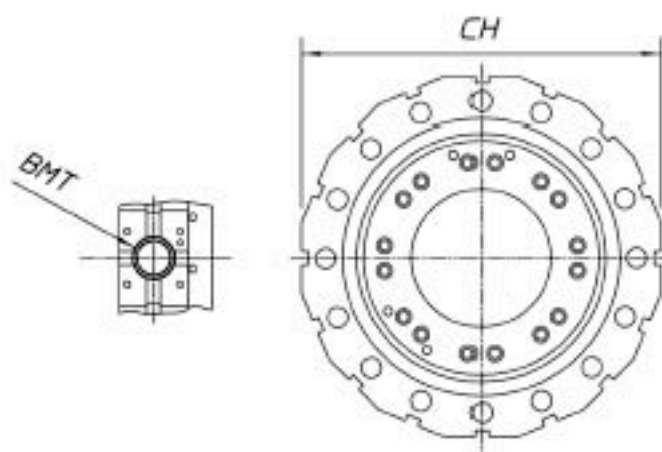


| Code - code - code - Bestell Nr. | BMT | CH | POS. | | | | | | | | | | | |
|----------------------------------|-----|----|------|--|--|--|--|--|--|--|--|--|--|--|
| DF6-45-12 | 45 | | 12 | | | | | | | | | | | |
| DF6-55-12 | 55 | | 12 | | | | | | | | | | | |
| DF6-65-12 | 65 | | 12 | | | | | | | | | | | |
| DF6-75-12 | 75 | | 12 | | | | | | | | | | | |
| DF6-85-12 | 85 | | 12 | | | | | | | | | | | |

Indicare tipo torretta e quota CH - Indicate turret type and dimension CH - Indiquez tourille type et dimension CH - Angeben Sie Revolverkopftyp und Maß CH

DF6...16

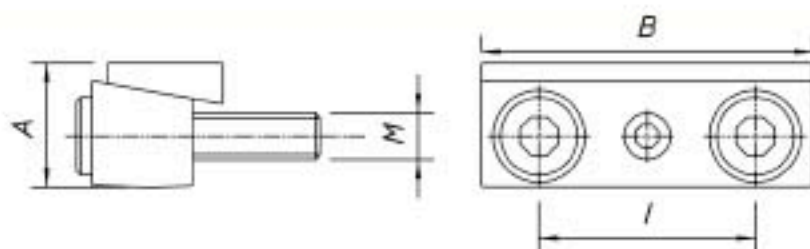
| | | |
|---------------------|-----|---------|
| Disco portautensili | BMT | 16 pos. |
| Tool disc | BMT | 16 pos. |
| Plateau | BMT | 16 pos. |
| Werkzeugscheibe | BMT | 16 Pos. |



| Code - code - code - Bestell Nr. | BMT | CH | POS. | | | | | | | | | | | |
|----------------------------------|-----|----|------|--|--|--|--|--|--|--|--|--|--|--|
| DF6-45-16 | 45 | | 16 | | | | | | | | | | | |
| DF6-55-16 | 55 | | 16 | | | | | | | | | | | |
| DF6-65-16 | 65 | | 16 | | | | | | | | | | | |
| DF6-75-16 | 75 | | 16 | | | | | | | | | | | |
| DF6-85-16 | 85 | | 16 | | | | | | | | | | | |

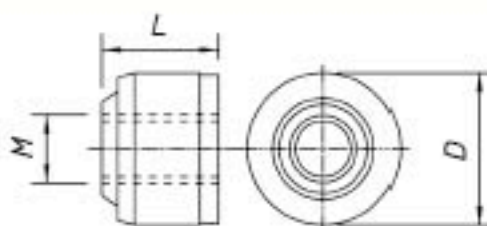
Indicare tipo torretta e quota CH - Indicate turret type and dimension CH - Indiquez tourille type et dimension CH - Angeben Sie Revolverkopftyp und Maß CH

UT

 Tassello di bloccaggio
 Wedge
 Gupon
 Sperrdübel

DF

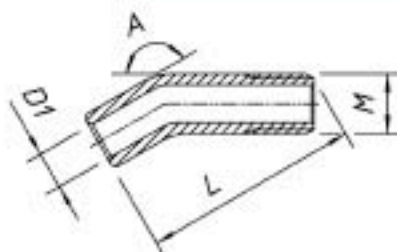
| Codice - code - code - Bestell Nr. | A | B | I | M | | | | | | | | | | |
|------------------------------------|----|-----|----|-----|--|--|--|--|--|--|--|--|--|--|
| UT 12/33 | 12 | 33 | 20 | M6 | | | | | | | | | | |
| UT 16/43 | 16 | 43 | 26 | M6 | | | | | | | | | | |
| UT 20/48 | 20 | 48 | 31 | M6 | | | | | | | | | | |
| UT 20/53 | 20 | 53 | 35 | M6 | | | | | | | | | | |
| UT 25/68 | 25 | 68 | 46 | M10 | | | | | | | | | | |
| UT 32/78 | 32 | 78 | 50 | M12 | | | | | | | | | | |
| UT 32/88 | 32 | 88 | 60 | M12 | | | | | | | | | | |
| UT 40/118 | 40 | 118 | 82 | M16 | | | | | | | | | | |


Z3

 Ugello di refrigerazione
 Cooling nozzle
 Tuyère de réfrigération
 Kühlmitteldüse


| Codice - code - code - Bestell Nr. | D | L | M | | | | | | | | | | | |
|------------------------------------|----|---|---|--|--|--|--|--|--|--|--|--|--|--|
| Z3-8 | 8 | 6 | 4 | | | | | | | | | | | |
| Z3-12 | 12 | 8 | 5 | | | | | | | | | | | |
| Z3-14 | 14 | 9 | 6 | | | | | | | | | | | |


Z1

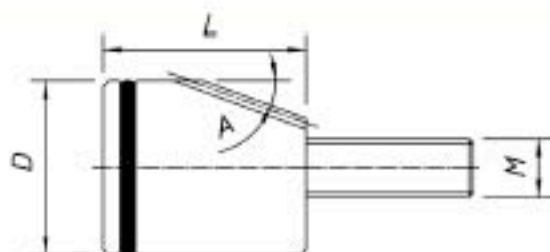
 Kit di 12 prolunghe per ugello di refrigerazione
 Kit of 12 cooling nozzle extensions
 Set de 12 rallonges pour tuyère de réfrigération
 Bestell von 12 Verlängerungen für Kühlmitteldüse


| Codice - code - code - Bestell Nr. | M | D1 | L | A | | | | | | | | | | |
|------------------------------------|---|-----|----|------|--|--|--|--|--|--|--|--|--|--|
| Z1-4 | 4 | 2,5 | 19 | 150° | | | | | | | | | | |
| Z1-5 | 5 | 3 | 24 | 150° | | | | | | | | | | |
| Z1-8 | 8 | 5 | 29 | 150° | | | | | | | | | | |



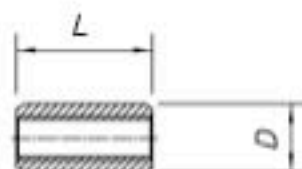
Z4

 Tassello di bloccaggio
 Wedge
 Gujon
 Sperrdübel

DF


| Codice - code - code - Bestell Nr. | A | D | M | L | | | | | | | | | | | |
|------------------------------------|-----|----|------|----|--|--|--|--|--|--|--|--|--|--|--|
| Z4-20 | 20° | 20 | 6MA | 25 | | | | | | | | | | | |
| Z4-30 | 20° | 30 | 10MA | 35 | | | | | | | | | | | |
| Z4-40 | 25° | 40 | 12MA | 38 | | | | | | | | | | | |
| Z4-50 | 25° | 50 | 12MA | 50 | | | | | | | | | | | |
| Z4-60 | 25° | 60 | 16MA | 60 | | | | | | | | | | | |

Z6

 Bussola di centraggio
 Centering insert
 Insert de centrage
 Zentrierbuchse


| Codice - code - code - Bestell Nr. | D | l | | | | | | | | | | | | | |
|------------------------------------|-------|----|--|--|--|--|--|--|--|--|--|--|--|--|--|
| Z6-16 | 7,95 | 16 | | | | | | | | | | | | | |
| Z6-20 | 9,95 | 20 | | | | | | | | | | | | | |
| Z6-30/40 | 13,95 | 20 | | | | | | | | | | | | | |
| Z6-50/60 | 15,9 | 20 | | | | | | | | | | | | | |

DISC

 Targhetta con numero posizione
 Plate with position number
 Plaque avec nombre de position
 Anzeigschild mit Position Nummer


| Codice - code - code - Bestell Nr. | D | | | | | | | | | | | | | | |
|------------------------------------|----|--|--|--|--|--|--|--|--|--|--|--|--|--|--|
| DISC20 1-6 | 20 | | | | | | | | | | | | | | |
| DISC20 1-8 | 20 | | | | | | | | | | | | | | |
| DISC20 1-12 | 20 | | | | | | | | | | | | | | |