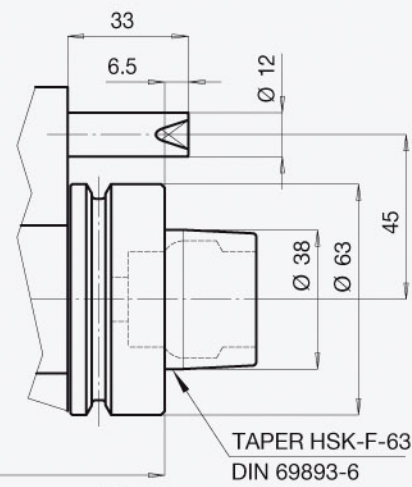


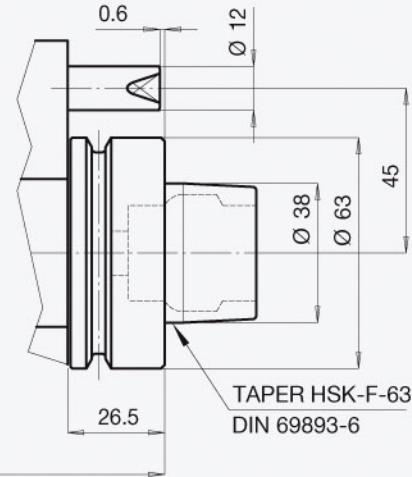
TAPER ISO 30
DIN 69871 A
Version for machines
MASTERWOOD
BIESSÉ
CD 23800

Version for machines
MASTERWOOD
CD 26800



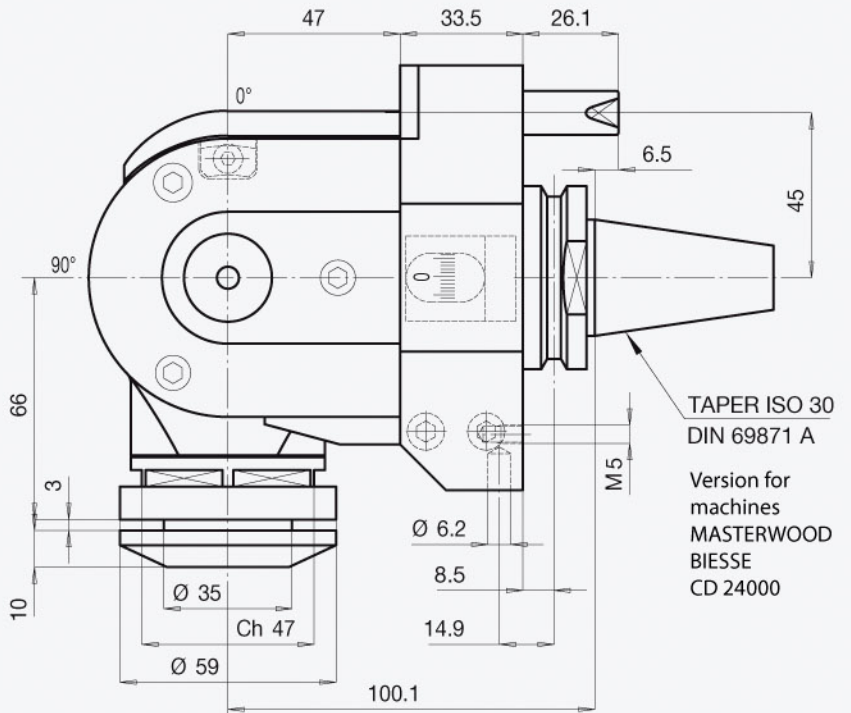
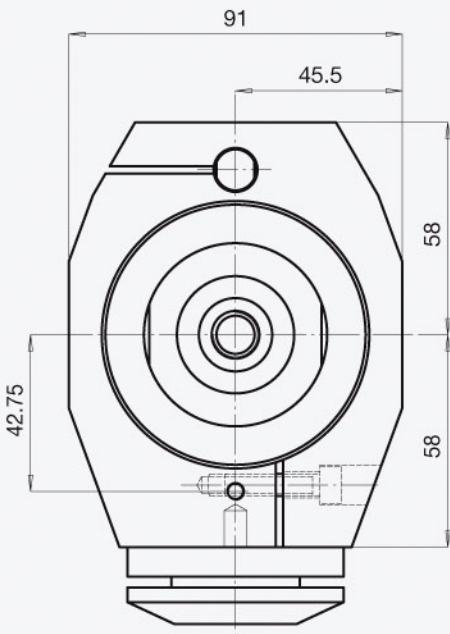
TAPER HSK-F-63
DIN 69893-6

Version for machines
BIESSÉ
CD 24800



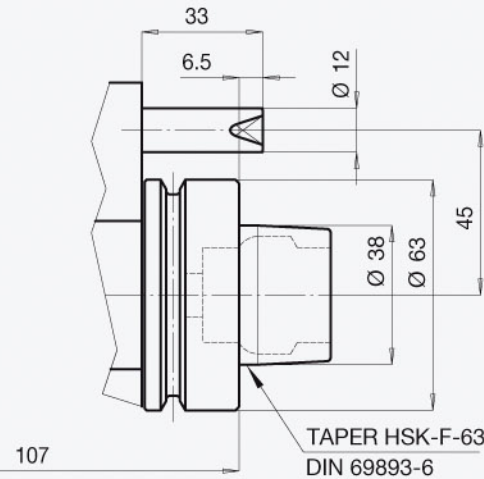
TAPER HSK-F-63
DIN 69893-6





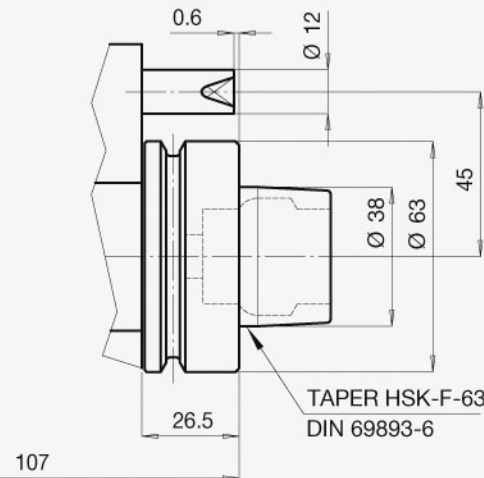
TAPER ISO 30
DIN 69871 A
Version for
machines
MASTERWOOD
BIESE
CD 24000

Version for
machines
MASTERWOOD
CD 213100



TAPER HSK-F-63
DIN 69893-6

Version for
machines
BIESE
CD 25200



TAPER HSK-F-63
DIN 69893-6

